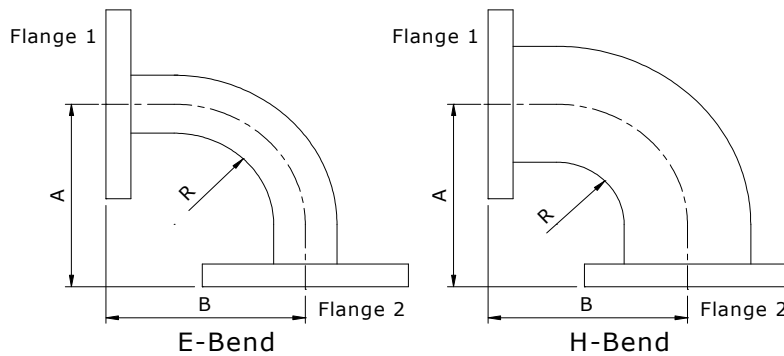
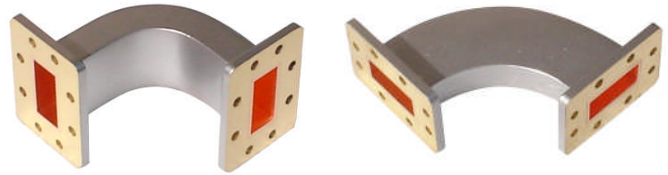




2 Waveguide Bend

HengDa Microwave offers a standard product line of E-bends and H-bends covering waveguide sizes WR10 thru WR430. Multi-degrees, additional sizes, configurations and combinations are available on request.



【Specifications】

Model No*	Freq Range (GHz)	VSWR (Max)	Std Dimensions AxBxR (mm)**	WG Type		Flange	Material
				IEC	EIA		
HD-22WEB...	1.72-2.61	1.15	190x190x95	R22	WR430	FDP/FDM	Al/Cu
HD-22WHB...	1.72-2.61	1.15	250x250x152	R22	WR430	FDP/FDM	Al/Cu
HD-26WEB...	2.17-3.30	1.15	100x100x40	R26	WR340	FDP/FDM	Al/Cu
HD-26WHB...	2.17-3.30	1.15	180x180x100	R26	WR340	FDP/FDM	Al/Cu
HD-32WEB...	2.60-3.95	1.10	100x100x40	R32	WR284	FDP/FDM	Al/Cu
HD-32WHB...	2.60-3.95	1.10	160x160x100	R32	WR284	FDP/FDM	Al/Cu
HD-40WEB...	3.22-4.90	1.10	80x80x40	R40	WR229	FDP/FDM	Al/Cu
HD-40WHB...	3.22-4.90	1.10	120x120x78	R40	WR229	FDP/FDM	Al/Cu
HD-48WEB...	3.94-5.99	1.10	80x80x40	R48	WR187	FDP/FDM	Al/Cu
HD-48WHB...	3.94-5.99	1.10	80x80x40	R48	WR187	FDP/FDM	Al/Cu
HD-58WEB...	4.64-7.05	1.10	80x80x40	R58	WR159	FDP/FDM	Al/Cu
HD-58WHB...	4.64-7.05	1.10	80x80x40	R58	WR159	FDP/FDM	Al/Cu
HD-70WEB...	5.38-8.17	1.10	60x60x30	R70	WR137	FDP/FDM	Al/Cu
HD-70WHB...	5.38-8.17	1.10	80x80x50	R70	WR137	FDP/FDM	Al/Cu
HD-84WEB...	6.57-9.99	1.10	50x50x25	R84	WR112	FBP/FBM/FBE	Al/Cu
HD-84WHB...	6.57-9.99	1.10	60x60x35	R84	WR112	FBP/FBM/FBE	Al/Cu
HD-100WEB...	8.20-12.40	1.10	40x40x20	R100	WR90	FBP/FBM/FBE	Al/Cu

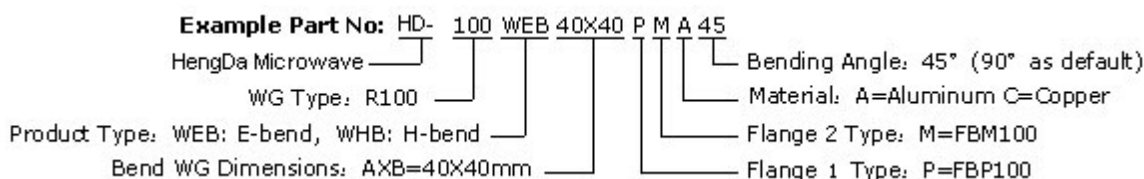


HD-100WHB...	8.20-12.40	1.10	55x55x35	R100	WR90	FBP/FBM/FBE	Al/Cu
HD-120WEB...	9.84-15.0	1.10	40x40x20	R120	WR75	FBP/FBM/FBE	Al/Cu
HD-120WHB...	9.84-15.0	1.10	45x45x30	R120	WR75	FBP/FBM/FBE	Al/Cu
HD-140WEB...	11.9-18.0	1.10	40x40x20	R140	WR62	FBP/FBM/FBE	Al/Cu
HD-140WHB...	11.9-18.0	1.10	40x40x25	R140	WR62	FBP/FBM/FBE	Al/Cu
HD-180WEB...	14.5-22.0	1.10	30x30x15	R180	WR51	FBP/FBM/FBE	Al/Cu
HD-180WHB...	14.5-22.0	1.10	35x35x20	R180	WR51	FBP/FBM/FBE	Al/Cu
HD-220WEB...	17.6-26.7	1.15	30x30x15	R220	WR42	FBP/FBM/FBE	Al/Cu
HD-220WHB...	17.6-26.7	1.15	35x35x20	R220	WR42	FBP/FBM/FBE	Al/Cu
HD-260WEB...	21.7-33.0	1.15	30x30x15	R260	WR34	FBP/FBM/FBE	Al/Cu
HD-260WHB...	21.7-33.0	1.15	35x35x20	R260	WR34	FBP/FBM/FBE	Al/Cu
HD-320WEB...	26.3-40.0	1.15	25x25x10	R320	WR28	FBP/FBM/FBE	Al/Cu
HD-320WHB...	26.3-40.0	1.15	30x30x15	R320	WR28	FBP/FBM/FBE	Al/Cu
HD-400WEB...	32.9-50.1	1.20	25x25x10	R400	WR22	FUGP	Cu
HD-400WHB...	32.9-50.1	1.20	20x20x10	R400	WR22	FUGP	Cu
HD-500WEB...	39.2-59.6	1.20	25x25x10	R500	WR19	FUGP	Cu
HD-500WHB...	39.2-59.6	1.20	25x25x10	R500	WR19	FUGP	Cu
HD-620WEB...	49.8-75.8	1.20	20x20x10	R620	WR15	FUGP	Cu
HD-620WHB...	49.8-75.8	1.20	25x25x10	R620	WR15	FUGP	Cu
HD-740WEB...	60.5-91.9	1.20	20x20x10	R740	WR12	FUGP	Cu
HD-740WHB...	60.5-91.9	1.20	25x25x10	R740	WR12	FUGP	Cu
HD-900WEB...	73.8-100	1.20	20x20x10	R900	WR10	FUGP	Cu
HD-900WHB...	73.8-100	1.20	25x25x10	R900	WR10	FUGP	Cu

**Indicates Model Number. See Ordering Information for complete part number.*

***Legs (A,B) available in other sizes. Consult sales engineer for more information.*

【Ordering Information】



- Flange type: Multiple types available - see HengDa Microwave Flanges page
- Finish: Corrosion protection plus black/grey top coat
- Bends other than 90° available on request
- Mitered bends available on request