

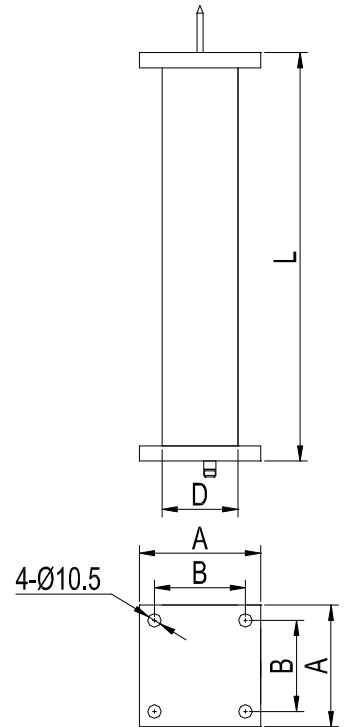


## 19 MMDS Transmitting Antenna

HengDa Microwave manufactures a high quality line of MMDS transmitting antennas. Please call us with your specification and discuss your needs with one of our sales engineers.

### Features:

- High radiation efficiency
- Wide frequency range
- Low VSWR
- More Gain values available
- Power rating 300W (CW)
- Light weight aluminium material
- Well sealed
- Easy for installation
- Direct lightning protection
- Ground wind velocity 25m/s

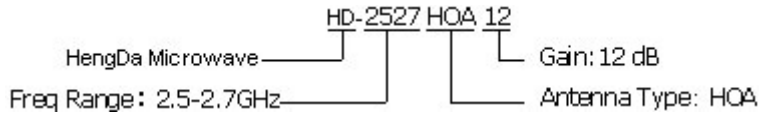


### 【Specifications】

Model No	Freq Range (GHz)	VSWR (Max)	Gain (dB)	Polarization	Beamwidth (Azimuth)	Beamwidth (Elevation )	Dimensions (D*L) (mm)	Dimensions (A*B) (mm)	Power Handling (W)	Connector
HD-2527HOA10	2.5-2.7	1.5	10	Horizontal	360°	6°	130*1000	180*152	300	N-F
HD-2527HOA12	2.5-2.7	1.5	12	Horizontal	360°	5°	130*1300	180*152	300	N-F
HD-2527HOA16	2.5-2.7	1.5	13	Horizontal	360°	4°	130*1600	180*152	300	N-F
HD-2527VOA10	2.5-2.7	1.5	10	Vertical	360°	6°	170*1000	220*180	300	N-F
HD-2527VOA12	2.5-2.7	1.5	12	Vertical	360°	5°	170*1300	220*180	300	N-F
HD-2527VOA16	2.5-2.7	1.5	13	Vertical	360°	4°	170*1600	220*180	300	N-F
HD-2527HCA10	2.5-2.7	1.5	13	Horizontal	180°	6°	130*1000	180*152	300	N-F
HD-2527HCA12	2.5-2.7	1.5	15	Horizontal	180°	5°	130*1300	180*152	300	N-F
HD-2527HCA16	2.5-2.7	1.5	16	Horizontal	180°	4°	130*1600	180*152	300	N-F
HD-2527VCA10	2.5-2.7	1.5	13	Vertical	180°	6°	170*1000	220*180	300	N-F
HD-2527VCA12	2.5-2.7	1.5	15	Vertical	180°	5°	170*1300	220*180	300	N-F
HD-2527VCA16	2.5-2.7	1.5	16	Vertical	180°	4°	170*1600	220*180	300	N-F



**【Ordering Information】**



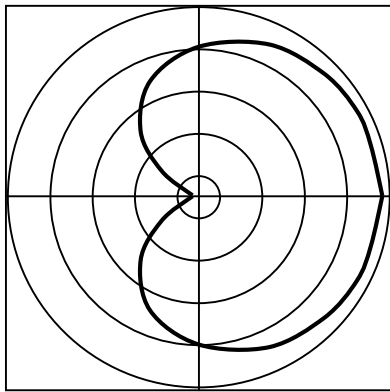
**Antenna Type:**

**HOA** - Omni-directional, Horizontal polarized

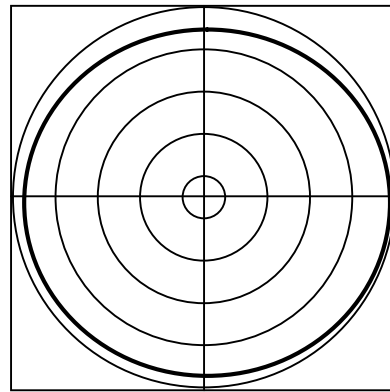
**HCA** - Half-directional, Horizontal polarized

**VOA** - Omni-directional, Vertical polarized

**VCA** - Half -directional, Vertical polarized



180°



360°

**Azimuth Beam Pattern**